

## PW Diamonds

### Medium Channel

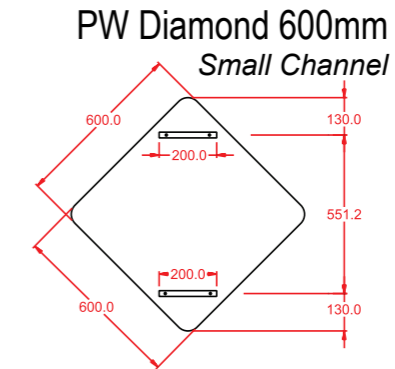
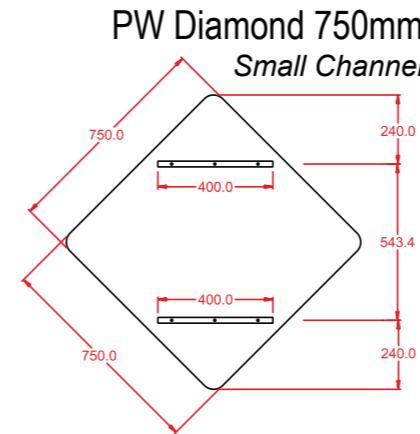
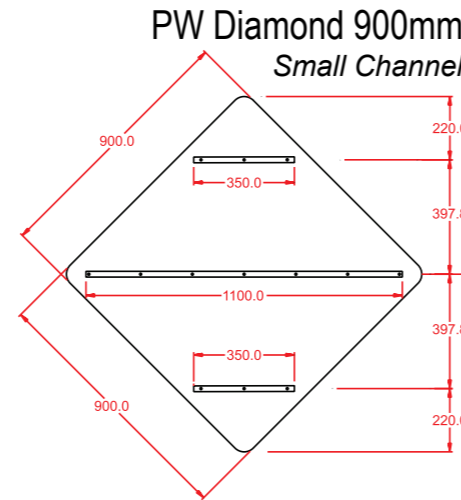
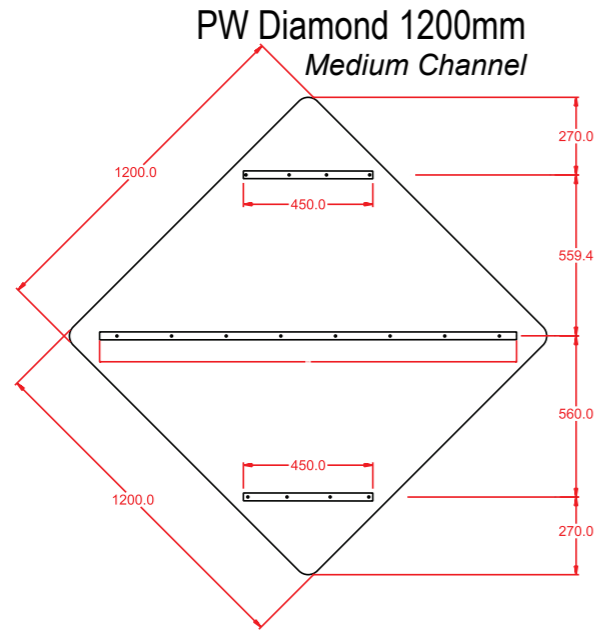
1200mm

### Small Channel

900mm

750mm

600mm



## Circles

### Medium Channel

1200mm

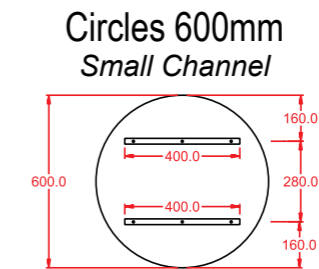
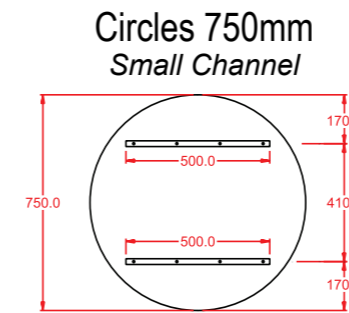
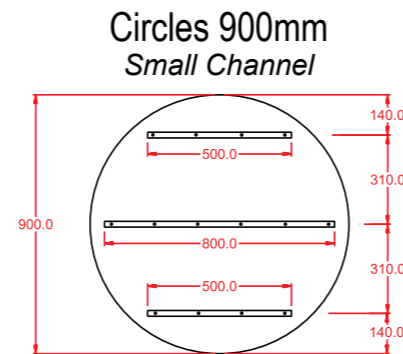
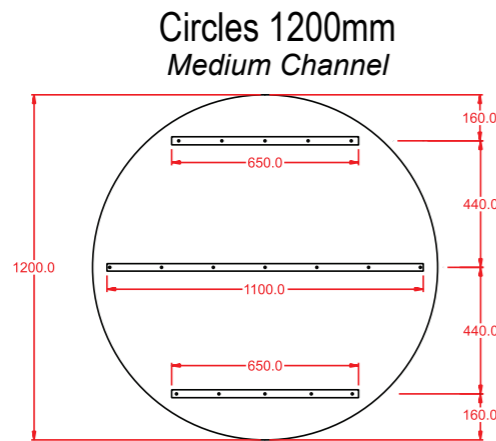
### Small Channel

900mm

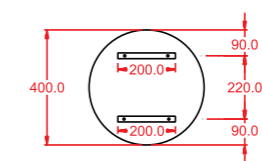
750mm

600mm

450mm



### Circles 450mm Small Channel



## Triangles, Circles, Diamonds and Octagons

This poster is designed to show details of channel spacings and channel types for Permanent Warning and Regulatory Sign types.

Signfix charts have been calculated around values based on the use of 2mm aluminium H251 H34 sheet. They should not be applied to sign panels fabricated from alternative gauge aluminium, steel or plastic substrates.

Signfix Channel Charts should not be applied to channel of different design, profile and alloy content.

## Stop Signs

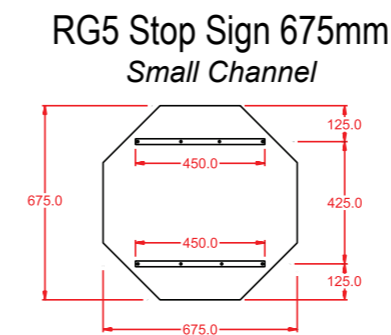
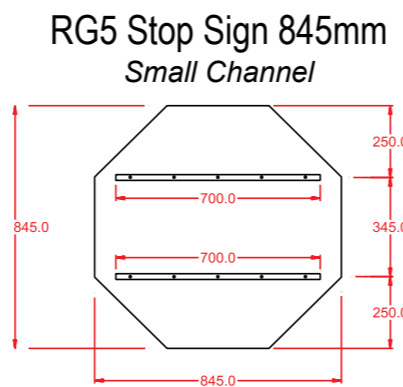
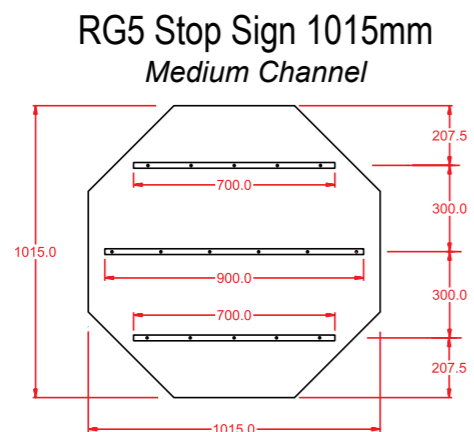
### Medium Channel

1015mm

### Small Channel

845mm

675mm



## Give Way Signs

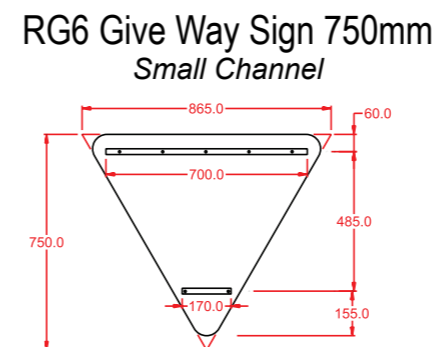
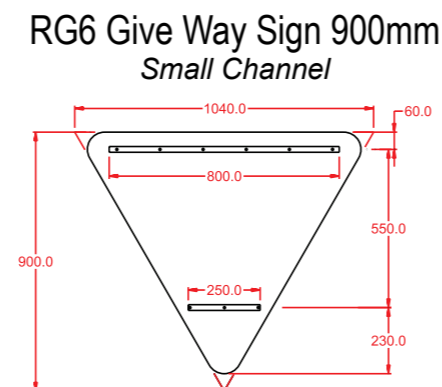
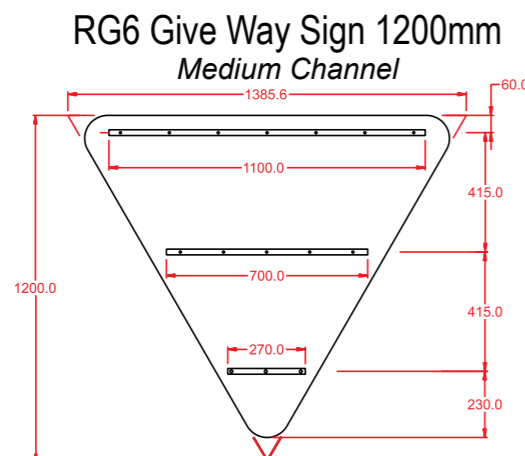
### Medium Channel

1200mm

### Small Channel

900mm

750m



**SIGNFIX**  
SYSTEMS

Email: [sales@signfix.co.nz](mailto:sales@signfix.co.nz)

Phone: 09 930 1258

Address: 31 Maurice Rd, Penrose, Auckland

For more information, please visit our website:

[www.signfix.co.nz](http://www.signfix.co.nz)